

Transponder/Responder

Model ME7656



The compact ME7656 range of transponders are low-powered microprocessor controlled units compatible with the Simrad HPR system. The operational mode of any of the units may be externally selected as either a Transponder or a Responder.

There is an externally operated switch for selection of the operating channel and an underwater connector for the Responder Trigger, external power supply or internal battery charging.

The standard NimH rechargeable battery pack provides a month of listening life with a full charge. Digitally controlled fast charging units are optionally available which will charge three units simultaneously.

The ME7656 is particularly suitable for underwater tracking and location applications where size and weight are important factors. Examples of such use are Remote Vehicle and Towfish tracking and Wellhead or other target marking. There are currently four standard ME7656 models for 1000m and 2000m depth rating with either omni-directional or directional transducers. Typically the omni-directional units are more suited to shallow water applications whilst the directional units are more suited to operations in deeper water.

Custom re-packaged units are available to order to suit individual requirements for minimal additional cost. The battery pack size, transmit power and channel frequencies may also be tailored to suit a specific application, contact Marine Electronics for further details.

- **External switch selects HPR channel**
- **External On/Off switch**
- **Responder trigger, power supply and charger connector are Simrad responder compatible**
- **Operating depth to 3000m**
- **Directional or omni-directional transducer**
- **Automatic switching to self-powered transponder mode if ROV power/trigger fails**
- **Externally powered for continuous operation**
- **Field changeable transducer**



Marine Electronics Ltd.,
Unit 10,
Barras Lane Industrial Estate,
Vale, Guernsey, C.I.
GY6 8EQ
Tel: +44 (0)1481 253181
Fax: +44 (0)1481 253182
Email: sales@marine-electronics.co.uk
Web: www.marine-electronics.co.uk

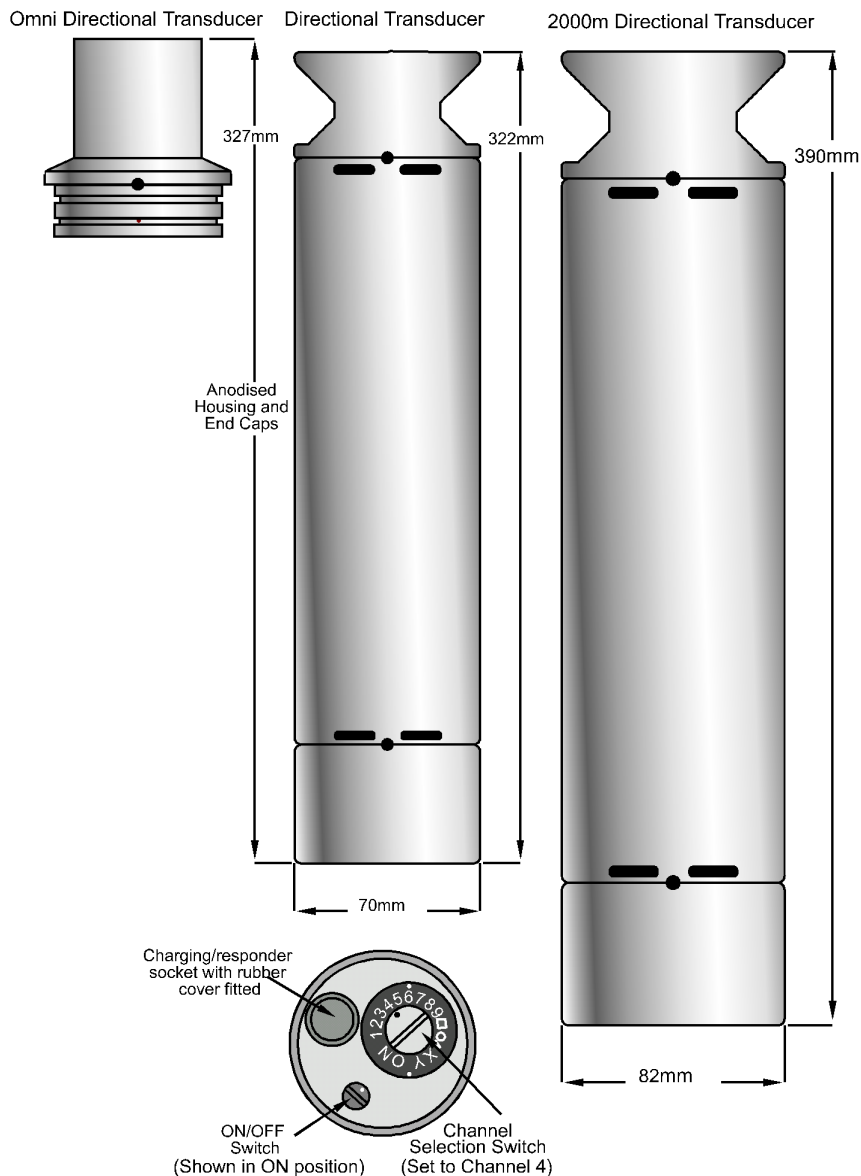
Transponder/Responder

Model ME7656



Specifications

Channels:	1 to 9 and □ ○ △ X Y									
Repetition Rate:	Maximum 2 per second									
Battery Type:	NimH 18v at 1.2AH									
Charging Time:	3 hours using charger type ME7656NMH									
Quiescent Life:	1 month									
Temperature:	Operating: 0° to +50°C Storage: -20° to +65°C									
Rx Sensitivity:	10µv r.m.s.									
External Power:	+22v to +30v DC									
Weight:	<table><thead><tr><th></th><th>1000m</th><th>2000m</th></tr></thead><tbody><tr><td>In Air</td><td>1.85kg</td><td>3.1kg</td></tr><tr><td>In Water</td><td>0.7kg</td><td>1.0kg</td></tr></tbody></table>		1000m	2000m	In Air	1.85kg	3.1kg	In Water	0.7kg	1.0kg
	1000m	2000m								
In Air	1.85kg	3.1kg								
In Water	0.7kg	1.0kg								
Operating Depth:	1000m to 3000m (option)									
Tx Pulse Length:	10msec									
Rx Bandwidth:	400Hz (+/-3dB)									
Turnaround Delay:	30msec									
Responder Trigger:	>2msec +5v pulse (>+4v inhibits receiver)									
Tx source Level:	<table><thead><tr><th>Directional</th><th>Omni-Directional</th></tr></thead><tbody><tr><td>190dB re 1µPa @ 1m</td><td>187dB re 1µPa @ 1m</td></tr></tbody></table>	Directional	Omni-Directional	190dB re 1µPa @ 1m	187dB re 1µPa @ 1m					
Directional	Omni-Directional									
190dB re 1µPa @ 1m	187dB re 1µPa @ 1m									
Tx Beam Pattern:	+/-45° Conical +/-90° Doughnut									
No. of Replies:	70,000 70,000									



Marine Electronics Ltd.,
Unit 10,
Barras Lane Industrial Estate,
Vale, Guernsey, C.I.
GY6 8EQ
Tel: +44 (0)1481 253181
Fax: +44 (0)1481 253182
Email: sales@marine-electronics.co.uk
Web: www.marine-electronics.co.uk
Specifications are subject to change without notice