

Transponder/Responder

Model ME8000



The ME8000 Transponder is a self contained low powered microprocessor controlled unit compatible with the Sonar Type 2093 system.

The unit is fitted with a Pressure Sensing Transducer that enables the depth of the unit to be transmitted acoustically to the surface.

There are two externally operated switches, one for the selection of the operating channel and the other to switch the unit on and off. A removable underwater plug enables battery replacement without dismantling the unit.

The standard Alkaline battery pack provides a month of listening life with a full charge operating for 6 hours per day at once per 5 seconds.

The ME8000 is particularly suitable for underwater tracking and location applications where size and weight are important factors. Examples of such use are Remote Vehicle and Towfish tracking and Wellhead or other target marking. There are currently four standard ME8000 models for 1000m and 2000m depth rating with either omni-directional or directional transducers. Typically the omni-directional units are more suited to shallow water applications whilst the directional units are more suited to operations in deeper water.

Custom re-packaged units are available to order to suit individual requirements for minimal additional cost. The battery pack size, transmit power and channel frequencies may also be tailored to suit a specific application, contact Marine Electronics for further details.

- **External switches select HPR300, HPR400, or ORE Trackpoint channel**
- **External On/Off switch**
- **Responder trigger, power supply and charger connector are Simrad responder compatible**
- **Operating depth to 3000m**
- **Directional or omni-directional transducer**
- **Automatic switching to self-powered transponder mode if ROV power/trigger fails**
- **Externally powered for continuous operation**
- **Field changeable transducer**



Marine Electronics Ltd.,
Unit 10,
Barras Lane Industrial Estate,
Vale, Guernsey, C.I.
GY6 8EQ
Tel: +44 (0)1481 253181
Fax: +44 (0)1481 253182
Email: sales@marine-electronics.co.uk
Web: www.marine-electronics.co.uk

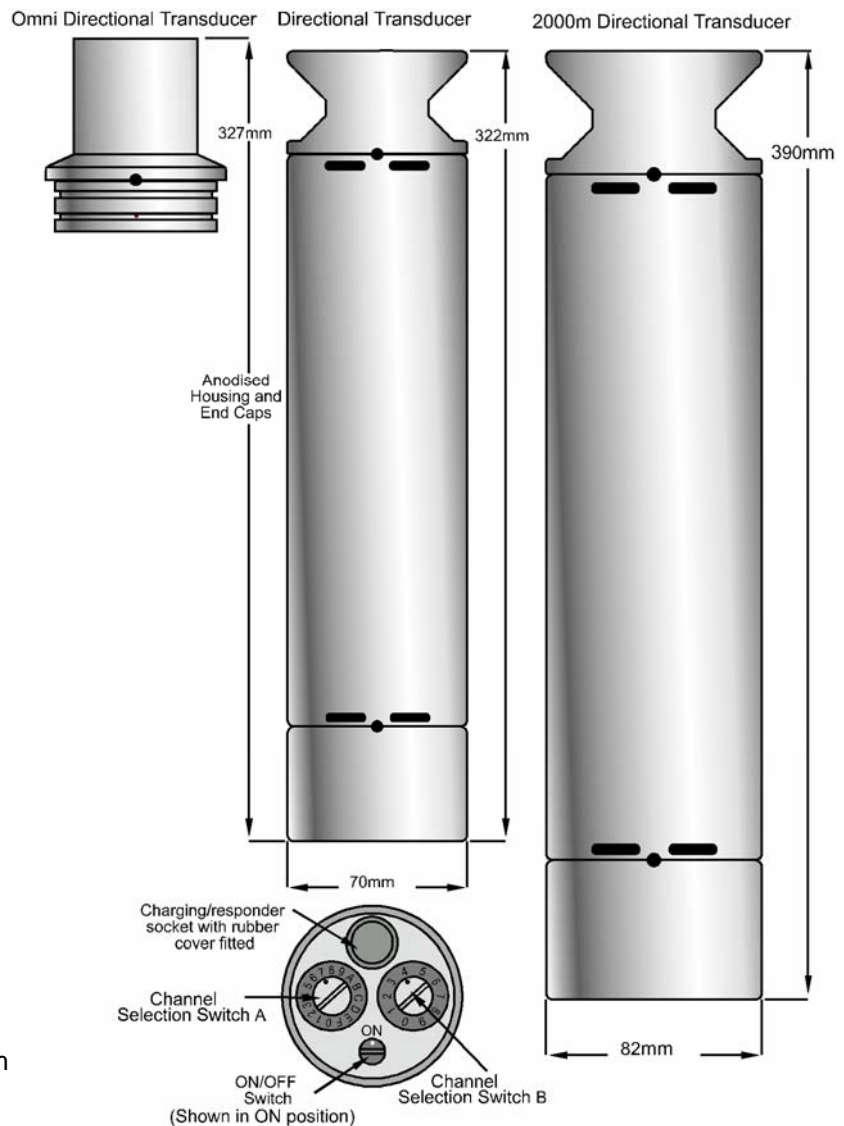
Transponder/Responder

Model ME8000



Specifications

Channels:	HPR300 – 14 Channels HPR400 – 56 Channels ORE Trackpoint – 32 Channels									
Repetition Rate:	Maximum 2 per second									
Battery Type:	NimH 18v at 1.2AH									
Charging Time:	3 hours using charger type ME7656NMH									
Quiescent Life:	1 month									
Temperature:	Operating: 0° to +50°C Storage: -20° to +65°C									
Rx Sensitivity:	10µv r.m.s.									
External Power:	+22v to +30v DC									
Weight:	<table><tr><td></td><td><u>1000m</u></td><td><u>2000m</u></td></tr><tr><td>In Air</td><td>1.85kg</td><td>3.1kg</td></tr><tr><td>In Water</td><td>0.7kg</td><td>1.0kg</td></tr></table>		<u>1000m</u>	<u>2000m</u>	In Air	1.85kg	3.1kg	In Water	0.7kg	1.0kg
	<u>1000m</u>	<u>2000m</u>								
In Air	1.85kg	3.1kg								
In Water	0.7kg	1.0kg								
Operating Depth:	1000m to 3000m (option)									
Tx Pulse Length:	HPR – 10msec, Trackpoint 1.3m									
Rx Bandwidth:	400Hz (+/-3dB)									
Turnaround Delay:	HPR300 – 30msec HPR400 – 60ms ORE Trackpoint – 15ms									
Responder Trigger:	>2msec +5v pulse (>+4v inhibits receiver)									
Tx source Level:	<table><tr><td><u>Directional</u></td><td><u>Omni-Directional</u></td></tr><tr><td>190dB re 1µPa @ 1m</td><td>187dB re 1µPa @ 1m</td></tr></table>	<u>Directional</u>	<u>Omni-Directional</u>	190dB re 1µPa @ 1m	187dB re 1µPa @ 1m					
<u>Directional</u>	<u>Omni-Directional</u>									
190dB re 1µPa @ 1m	187dB re 1µPa @ 1m									
Tx Beam Pattern:	+/-45° Conical +/-90° Doughnut									
No. of Replies:	70,000 70,000									



Marine Electronics Ltd.,
Unit 10,
Barras Lane Industrial Estate,
Vale, Guernsey, C.I.
GY6 8EQ
Tel: +44 (0)1481 253181
Fax: +44 (0)1481 253182
Email: sales@marine-electronics.co.uk
Web: www.marine-electronics.co.uk
Specifications are subject to change without notice